

# PLE

其优势在于：此款行星减速机即使在最高转速时也能达到最高效率

**PLE** 系列是我们取得成功的基石。该系列产品极轻、性能十分强劲，且由于其低摩擦损耗轴承设计和优化的润滑功能，十分适用于高标准的生产工况。一款真正强效且价格合理的产品。

Unparalleled: This planetary gearbox maintains its maximum efficiency even at the highest speeds

The **PLE** is perhaps the basis of our success. It is notably light, extremely powerful, yet suitable for complex production cycles due to its low-friction bearing design and optimized lubrication. A genuine powerhouse at an attractive, fair price.

额定扭矩  
Nominal output torque **5 - 800 Nm**

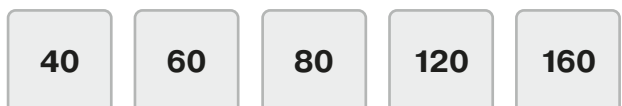
径向力  
Radial force **200 - 5000 N**

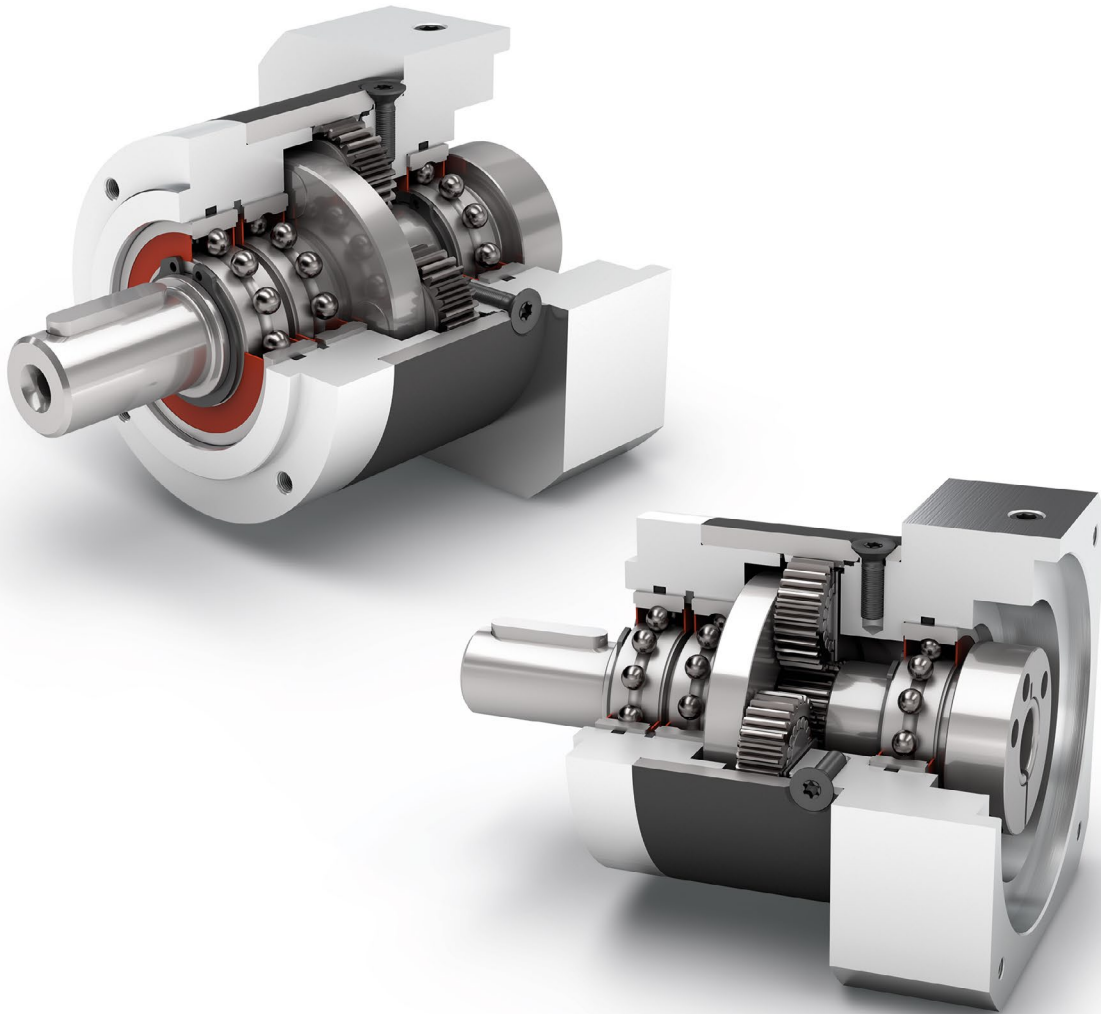
轴向力  
Axial force **200 - 7000 N**

回程间隙  
Torsional backlash **6 - 22 arcmin**

防护等级  
Protection class **IP54**

结构尺寸  
Frame sizes

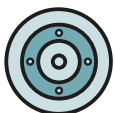




经济型  
Economy Line



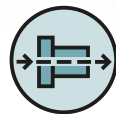
旋转方向 同方向  
Equidirectional rotation



圆形输出法兰  
Round type output flange



多样的传动比 (i=3 至 i=512)  
High ratio variety i=3 up to i=512



同轴减速机  
Coaxial gearbox



直齿  
Spur gear



低摩擦深沟球轴承  
Low-friction deep groove ball bearings



行星齿轮架  
Planet carrier in disc design

技术特点的详细解释，请从第169页读起。  
Detailed explanations of the technical features starting on page 169.

Code	减速机参数	Gearbox characteristics			PLE040	PLE060	PLE080	PLE120	PLE160	p <sup>(1)</sup>
	使用寿命 (L <sub>10h</sub> )	Service life (L <sub>10h</sub> )	t <sub>L</sub>	h	30.000					
	满载时效率 <sup>(2)</sup>	Efficiency at full load <sup>(2)</sup>	η	%	98					1
					97					2
					92					3
	最低工作温度	Min. operating temperature	T <sub>min</sub>	°C	-25					
	最高工作温度	Max. operating temperature	T <sub>max</sub>		90					
	防护等级	Protection class			IP54					
S	标准润滑	Standard lubrication			润滑脂 (终生润滑) / Grease (lifetime lubrication)					
F	食品级润滑	Food grade lubrication			润滑脂 (终生润滑) / Grease (lifetime lubrication)					
L	低温润滑 <sup>(3)</sup>	Low temperature lubrication <sup>(3)</sup>			润滑脂 (终生润滑) / Grease (lifetime lubrication)					
	安装位置	Installation position			任意 / Any					
S	标准回程间隙	Standard backlash	j <sub>t</sub>	arcmin	< 15	< 10	< 7	< 7	< 6	1
					< 19	< 12	< 9	< 9	< 9	2
					< 22	< 15	< 11	< 11	-	3
	抗扭刚度 <sup>(2)</sup>	Torsional stiffness <sup>(2)</sup>	c <sub>g</sub>	Nm / arcmin	0,7 - 1,0	2,1 - 2,8	7,2 - 10,0	15,5 - 21,0	57,5 - 69,0	1
					0,8 - 1,0	2,3 - 2,8	7,9 - 10,4	17,5 - 22,0	61,0 - 75,0	2
					0,8 - 1,0	2,3 - 2,8	7,9 - 10,5	17,5 - 22,0	-	3
	减速机重量 <sup>(2)</sup>	Gearbox weight <sup>(2)</sup>	m <sub>G</sub>	kg	0,3 - 0,4	0,9	2,1	5,6 - 5,7	17,4 - 17,6	1
					0,4 - 0,5	1,1	2,6	7,3 - 7,5	23,5 - 23,7	2
					0,5	1,3	3,1	9,2 - 9,4	-	3
S	标准的箱体表面	Standard surface			箱体: 钢 - 热处理后氧化 (黑色) Housing: Steel - heat-treated and post-oxidized (black)					
	运行噪音 <sup>(4)</sup>	Running noise <sup>(4)</sup>	Q <sub>g</sub>	dB(A)	58	58	60	65	70	
	基于减速机输入法兰的最大弯矩 <sup>(5)</sup>	Max. bending moment based on the gearbox input flange <sup>(5)</sup>	M <sub>b</sub>	Nm	3	8	16	40	140	

输出轴载荷	Output shaft loads			PLE040	PLE060	PLE080	PLE120	PLE160	p <sup>(1)</sup>
20,000 h 的径向力 <sup>(6)(7)</sup>	Radial force for 20,000 h <sup>(6)(7)</sup>	F <sub>r20.000h</sub>	N	200	400	750	1750	5000	
20,000 h 的轴向力 <sup>(6)(7)</sup>	Axial force for 20,000 h <sup>(6)(7)</sup>	F <sub>a20.000h</sub>		200	500	1000	2500	7000	
30,000 h 的径向力 <sup>(6)(7)</sup>	Radial force for 30,000 h <sup>(6)(7)</sup>	F <sub>r30.000h</sub>		160	340	650	1500	4200	
30,000 h 的轴向力 <sup>(6)(7)</sup>	Axial force for 30,000 h <sup>(6)(7)</sup>	F <sub>a30.000h</sub>		160	450	900	2100	6000	
最大径向力 <sup>(7)(8)</sup>	Maximum radial force <sup>(7)(8)</sup>	F <sub>r Stat</sub>		200	700	1250	2000	5000	
最大轴向力 <sup>(7)(8)</sup>	Maximum axial force <sup>(7)(8)</sup>	F <sub>a Stat</sub>		240	800	1600	3800	11000	
20,000 h 倾斜力矩 <sup>(6)(8)</sup>	Tilting moment for 20,000 h <sup>(6)(8)</sup>	M <sub>K20.000h</sub>	Nm	5	14	31	101	474	
30,000 h 倾斜力矩 <sup>(6)(8)</sup>	Tilting moment for 30,000 h <sup>(6)(8)</sup>	M <sub>K30.000h</sub>		4	12	27	86	398	

转动惯量	Moment of inertia			PLE040	PLE060	PLE080	PLE120	PLE160	p <sup>(1)</sup>
转动惯量 <sup>(2)</sup>	Mass moment of inertia <sup>(2)</sup>	J	kgcm <sup>2</sup>	0,014	0,065	0,359	1,378	3,726	1
				0,027	0,128	0,654	2,361	11,999	
				0,015	0,066	0,365	1,414	3,502	2
				0,026	0,121	0,613	2,288	10,087	
				0,015	0,066	0,365	1,413	-	3
				0,025	0,076	0,590	2,196	-	

(1) 减速机级数  
 (2) 传动比相关的数值可在 Tec Data Finder 中检索 - www.neugart.com  
 (3) T<sub>min</sub> = -40°C. 理想运行温度最高为 50°C  
 (4) 距离减速机 1 m 时; 在输入转速为 n<sub>1</sub>=3000 min<sup>-1</sup> 且无负荷时测得; i=5  
 (5) 最大电机重量\* (单位: kg) = 0.2 × M<sub>b</sub> / 电机长度 (单位: m)  
 \* 电机重量对称分布  
 \* 水平和固定的安装位置  
 (6) 数据以 n<sub>2</sub>=100 min<sup>-1</sup> 的输出轴转速为准。  
 (7) 以输出轴中心为准  
 (8) 更改 T<sub>2N</sub>, F<sub>r</sub>, F<sub>a</sub> 以及周期和轴承使用寿命时, 数值存在偏差(部分较高)。利用 NCP 针对应用进行专门设计 - www.neugart.com

(1) Number of stages  
 (2) The ratio-dependent values can be retrieved in Tec Data Finder - www.neugart.com  
 (3) T<sub>min</sub> = -40°C. Optimal operating temperature max. 50°C  
 (4) Sound pressure level from 1 m, measured on input running at n<sub>1</sub>=3000 rpm no load; i=5  
 (5) Max. motor weight\* in kg = 0.2 × M<sub>b</sub> / motor length in m  
 \* with symmetrically distributed motor weight  
 \* with horizontal and stationary mounting  
 (6) These values are based on an output shaft speed of n<sub>2</sub>=100 rpm  
 (7) Based on center of output shaft  
 (8) Other (sometimes higher) values following changes to T<sub>2N</sub>, F<sub>r</sub>, F<sub>a</sub>, cycle, and service life of bearing. Application specific configuration with NCP - www.neugart.com

输出扭矩	Output torques			PLE040	PLE060	PLE080	PLE120	PLE160	i <sup>(1)</sup>	p <sup>(2)</sup>
额定输出扭矩 <sup>(3)(4)</sup>	Nominal output torque <sup>(3)(4)</sup>	T <sub>2N</sub>	Nm	11	28	85	115	400	3	1
				15	38	115	155	450	4	
				14	40	110	195	450	5	
				8,5	25	65	135	-	7	
				6	18	50	120	450	8	
				5	15	38	95	-	10	
				16,5	44	130	210	-	9	
				20	44	120	260	800	12	
				18	44	110	230	700	15	
				20	44	120	260	800	16	
				20	44	120	260	800	20	
				18	40	110	230	700	25	
				20	44	120	260	800	32	
				18	40	110	230	700	40	
				7,5	18	50	120	450	64	
				20	44	110	260	-	60	
				20	44	120	260	-	80	
				20	44	120	260	-	100	
				18	44	110	230	-	120	
				20	44	120	260	-	160	
				18	40	110	230	-	200	
				20	44	120	260	-	256	
				18	40	110	230	-	320	
				7,5	18	50	120	-	512	
最大输出扭矩 <sup>(4)(5)</sup>	Max. output torque <sup>(4)(5)</sup>	T <sub>2max</sub>	Nm	17,5	45	136	184	640	3	1
				24	61	184	248	720	4	
				22	64	176	312	720	5	
				13,5	40	104	216	-	7	
				10	29	80	192	720	8	
				8	24	61	152	-	10	
				26	70	208	336	-	9	
				32	70	192	416	1280	12	
				29	70	176	368	1120	15	
				32	70	192	416	1280	16	
				32	70	192	416	1280	20	
				29	64	176	368	1120	25	
				32	70	192	416	1280	32	
				29	64	176	368	1120	40	
				12	29	80	192	720	64	
				32	70	176	416	-	60	
				32	70	192	416	-	80	
				32	70	192	416	-	100	
				29	70	176	368	-	120	
				32	70	192	416	-	160	
				29	64	176	368	-	200	
				32	70	192	416	-	256	
				29	64	176	368	-	320	
				12	29	80	192	-	512	

<sup>(1)</sup> 传动比 (i=n<sub>1</sub>/n<sub>2</sub>)

<sup>(2)</sup> 减速机级数

<sup>(3)</sup> 利用 NCP 针对应用进行专门设计 - www.neugart.com

<sup>(4)</sup> 平键 (代码 "A")时的数值: 针对交变载荷

<sup>(5)</sup> 允许输出轴转动30.000转; 参见第 158 页

<sup>(1)</sup> Ratios (i=n<sub>1</sub>/n<sub>2</sub>)

<sup>(2)</sup> Number of stages

<sup>(3)</sup> Application specific configuration with NCP - www.neugart.com

<sup>(4)</sup> Values for feather key (code "A"): for repeated load

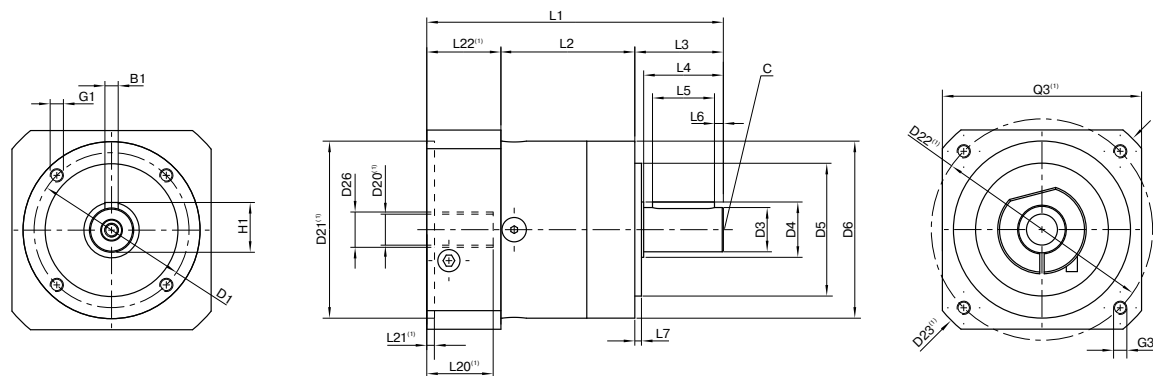
<sup>(5)</sup> 30,000 rotations of the output shaft permitted; see page 159

输出扭矩	Output torques			PLE040	PLE060	PLE080	PLE120	PLE160	i <sup>(1)</sup>	p <sup>(2)</sup>
急停扭矩 <sup>(3)</sup>	Emergency stop torque <sup>(3)</sup>	T <sub>2Stop</sub>	Nm	22,5	66	180	390	800	3	1
				30	88	240	520	900	4	
				36	80	220	500	900	5	
				26	80	178	340	-	7	
				27	80	190	380	900	8	
				27	80	200	480	-	10	
				33	88	260	500	-	9	2
				40	88	240	520	1600	12	
				36	88	220	500	1400	15	
				40	88	240	520	1600	16	
				40	88	240	520	1600	20	
				36	80	220	500	1400	25	
				40	88	240	520	1600	32	
				36	80	220	500	1400	40	
				27	80	190	380	900	64	
				40	88	220	520	-	60	
				40	88	240	520	-	80	3
				40	88	240	520	-	100	
				36	88	220	500	-	120	
				40	88	240	520	-	160	
				36	80	220	500	-	200	
				40	88	240	520	-	256	
				36	80	220	500	-	320	
				27	80	190	380	-	512	

输入转速	Input speeds			PLE040	PLE060	PLE080	PLE120	PLE160	i <sup>(1)</sup>	p <sup>(2)</sup>
T <sub>2N</sub> 和 S1 时的平均热输入转速 <sup>(4)(5)</sup>	Average thermal input speed at T <sub>2N</sub> and S1 <sup>(4)(5)</sup>	n <sub>1N</sub>	min <sup>-1</sup>	5000	4500	4000 <sup>(6)</sup>	3400 <sup>(6)</sup>	1350 <sup>(6)</sup>	3	1
				5000	4500	3900 <sup>(6)</sup>	3500 <sup>(6)</sup>	1450 <sup>(6)</sup>	4	
				5000	4500	4000 <sup>(6)</sup>	3500 <sup>(6)</sup>	1700 <sup>(6)</sup>	5	
				5000	4500	4000	3500	-	7	
				5000	4500	4000	3500	2200 <sup>(6)</sup>	8	
				5000	4500	4000	3500	-	10	
				5000	4500	4000 <sup>(6)</sup>	3500 <sup>(6)</sup>	-	9	2
				5000	4500	4000 <sup>(6)</sup>	3500 <sup>(6)</sup>	1600 <sup>(6)</sup>	12	
				5000	4500	4000	3500 <sup>(6)</sup>	1900 <sup>(6)</sup>	15	
				5000	4500	4000	3500 <sup>(6)</sup>	1800 <sup>(6)</sup>	16	
				5000	4500	4000	3500	2100 <sup>(6)</sup>	20	
				5000	4500	4000	3500	2400 <sup>(6)</sup>	25	
				5000	4500	4000	3500	2700 <sup>(6)</sup>	32	
				5000	4500	4000	3500	3000 <sup>(6)</sup>	40	
				5000	4500	4000	3500	3000	64	
				5000	4500	4000	3500	-	60	
				5000	4500	4000	3500	-	80	
				5000	4500	4000	3500	-	100	
				5000	4500	4000	3500	-	120	
				5000	4500	4000	3500	-	160	
				5000	4500	4000	3500	-	200	
				5000	4500	4000	3500	-	256	
				5000	4500	4000	3500	-	320	
				5000	4500	4000	3500	-	512	
最高机械输入转速 <sup>(4)</sup>	Max. mechanical input speed <sup>(4)</sup>	n <sub>1Limit</sub>	min <sup>-1</sup>	18000	13000	7000	6500	6500		1
				18000	13000	7000	6500	6500		2
				18000	13000	7000	6500	-		3

(1) 传动比 (i=n<sub>1</sub>/n<sub>2</sub>)  
 (2) 减速机级数  
 (3) 允许 1000 次  
 (4) 利用 NCP 针对应用设计转速 – www.neugart.com  
 (5) 定义请参见第 158 页  
 (6) 在 50% T<sub>2N</sub> 输出和 S1 模式下的平均热传动转速

(1) Ratios (i=n<sub>1</sub>/n<sub>2</sub>)  
 (2) Number of stages  
 (3) Permitted 1000 times  
 (4) Application-specific speed configurations with NCP – www.neugart.com  
 (5) See page 159 for the definition  
 (6) Average thermal input speed at 50% T<sub>2N</sub> and S1



图示为带平键的 PLE060 / 1 级 / 附带平键的输出轴 / 11 mm 锁紧系统 / 适配电机法兰 - 单一法兰 / B5 电机法兰类型  
 Drawing corresponds to a PLE060 / 1-stage / output shaft with feather key / 11 mm clamping system / motor adaptation - one part / B5 flange type motor

<sup>(1)</sup> 具体尺寸视电机/减速机法兰而定。可以在 [www.neugart.com](http://www.neugart.com) 下 Tec Data Finder。中针对每个电机适配电机特有的输入法兰几何尺寸。  
<sup>(1)</sup> The dimensions vary with the motor/gearbox flange. The input flange dimensions can be retrieved for each specific motor in Tec Data Finder at [www.neugart.com](http://www.neugart.com)

几何尺寸 <sup>(2)</sup>	Geometry <sup>(2)</sup>			PLE040	PLE060	PLE080	PLE120	PLE160	p <sup>(3)</sup>	Code
输出端安装孔节圆直径	Pitch circle diameter output	D1		34	52	70	100	145		
输出轴直径	Shaft diameter output	D3	h7	10	14	20	25	40		
输出轴轴肩直径	Shaft collar output	D4		12	17	25	35	55		
输出端定位凸台直径	Centering diameter output	D5	h7	26	40	60	80	130		
箱体直径	Housing diameter	D6		40	60	80	115	160		
安装螺纹 x 深度	Mounting thread x depth	G1	4x	M4x6	M5x8	M6x10	M10x16	M12x20		
最小总长	Min. total length	L1		88,5	106	133,5	176,5	255,5	1	
				106,5	118,5	150,5	204	305	2	
				114	131	168	231,5	-	3	
箱体长度	Housing length	L2		39	47	60	74	104	1	
				51,5	59,5	78	102	153,5	2	
				64,5	72	95,5	129,5	-	3	
输出轴轴长	Shaft length output	L3		26	35	40	55	87		
输出端定位凸台深度	Centering depth output	L7		2	3	3	4	5		
电机轴直径 j6/k6	Motor shaft diameter j6/k6	D20		更多信息见第 155/156 页 More information on page 155/156						
输入端锁紧系统直径	Clamping system diameter input	D26		更多信息见第 155/156 页 More information on page 155/156						
带平键的输出轴 (DIN 6885-1)	Output shaft with feather key (DIN 6885-1)			A 3x3x18	A 5x5x25	A 6x6x28	A 8x7x40	A 12x8x65		A
平键宽度 (DIN 6885-1)	Feather key width (DIN 6885-1)	B1		3	5	6	8	12		
含平键在内的轴高 (DIN 6885-1)	Shaft height including feather key (DIN 6885-1)	H1		11,2	16	22,5	28	43		
到轴肩的距离	Shaft length from shoulder	L4		23	30	36	50	80		
平键长度	Feather key length	L5		18	25	28	40	65		
到轴端的距离	Distance from shaft end	L6		2,5	2,5	4	5	8		
中心孔 (DIN 332, DR)	Center hole (DIN 332, type DR)	C		M3x9	M5x12,5	M6x16	M10x22	M16x36		
光滑输出轴	Smooth output shaft									B
到轴肩的距离	Shaft length from shoulder	L4		23	30	36	50	80		

<sup>(2)</sup> 所有的尺寸单位为mm  
<sup>(3)</sup> 减速机级数

<sup>(2)</sup> Dimensions in mm  
<sup>(3)</sup> Number of stages