

PLN

这款完全密封的直齿行星减速机能够提供极高的效能，且不会损失必要的刚性

我们的直齿型高精度行星减速机是针对最高的性能和扭矩设计的。**PLN** 的预胀紧的圆锥滚子轴承和专门调整过的密封确保了在有灰尘和喷淋水的条件下仍然达到最佳性能。

The perfectly sealed planetary gearbox with straight gearing delivers the maximum performance without ever losing the required stiffness

Our precision straight-toothed planetary gearbox is designed for maximum power and torque. The preloaded tapered roller bearings in the **PLN** and the specially matched seal guarantee optimum performance even in applications where dust and water spray are encountered.

额定扭矩
Nominal output torque **27 - 1800 Nm**

径向力
Radial force **3200 - 21000 N**

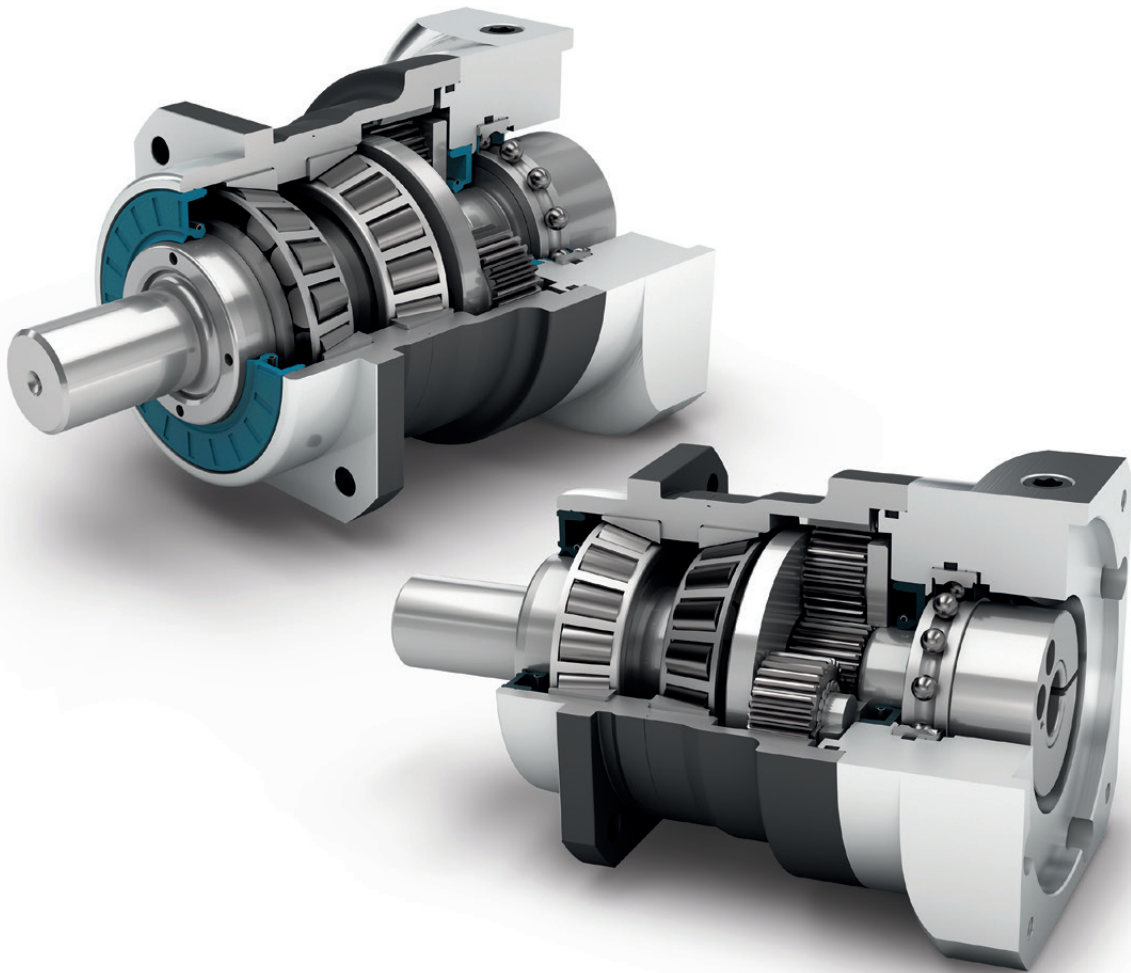
轴向力
Axial force **4400 - 21000 N**

回程间隙
Torsional backlash **1 - 5 arcmin**

防护等级
Protection class **IP65**

结构尺寸
Frame sizes

- 70
- 90
- 115
- 142
- 190



精密型
Precision Line



旋转方向 同方向
Equidirectional rotation



正方形输出法兰
Square type output flange



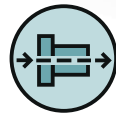
径向轴密封
Rotary shaft seal



行星齿轮架 (笼状结构)
Planet carrier in cage design



可选: 花键输出轴 (DIN 5480)
Option: Splined output shaft (DIN 5480)



同轴减速机
Coaxial gearbox



直齿
Spur gear



配有预紧的圆锥滚子轴承
Preloaded tapered roller bearings



输出端带有超长定心环
Extra long centering collar



可选: 降低回程间隙
Option: Reduced backlash



可选: 装有小齿轮的高精度减速机
132页
Option: Planetary gearbox with
mounted pinion on page 132

技术特点的详细解释, 请从第171页读起。
Detailed explanations of the technical features starting on page 171.

Code	减速机参数	Gearbox characteristics			PLN070	PLN090	PLN115	PLN142	PLN190	p ⁽¹⁾
	使用寿命 (L _{10h})	Service life (L _{10h})	t _L	h	20.000					
	T _{2N} × 0,88 时的使用寿命	Service life at T _{2N} × 0,88			30.000					
	满载时效率 ⁽²⁾	Efficiency at full load ⁽²⁾	η	%	98					1
					95					2
	最低工作温度	Min. operating temperature	T _{min}	°C	-25					
	最高工作温度	Max. operating temperature	T _{max}		90					
	防护等级	Protection class	IP65							
S	标准润滑	Standard lubrication	润滑油 (终生润滑) / Oil (lifetime lubrication)							
F	食品级润滑	Food grade lubrication	润滑油 (终生润滑) / Oil (lifetime lubrication)							
L	低温润滑 ⁽³⁾	Low temperature lubrication ⁽³⁾	润滑油 (终生润滑) / Oil (lifetime lubrication)							
	安装位置	Installation position	任意 / Any							
S	标准回程间隙	Standard backlash	j _t	arcmin	< 3					1
R	降低回程间隙	Reduced backlash			< 5					2
	抗扭刚度 ⁽²⁾	Torsional stiffness ⁽²⁾	c _g	Nm / arcmin	3,4 - 5,0	9,4 - 12,4	22,0 - 29,0	61,0 - 76,0	155,0 - 218,0	1
					3,4 - 5,0	9,0 - 12,4	22,5 - 29,5	61,0 - 78,0	169,0 - 224,0	2
	减速机重量 ⁽²⁾	Gearbox weight ⁽²⁾	m _G	kg	2,0	3,3 - 3,5	6,5 - 7,3	16,0 - 17,6	33,4 - 41,9	1
					2,5 - 2,6	4,1 - 4,3	8,2 - 9,0	21,4 - 22,0	45,4 - 49,6	2
S	标准的箱体表面	Standard surface	箱体: 钢 - 热处理后氧化 (黑色) Housing: Steel - heat-treated and post-oxidized (black)							
	运行噪音 ⁽⁴⁾	Running noise ⁽⁴⁾	Q _g	dB(A)	60	62	65		70	74
	基于减速机输入法兰的最大弯矩 ⁽⁵⁾	Max. bending moment based on the gearbox input flange ⁽⁵⁾	M _b	Nm	18	38	80		180	300

输出轴载荷	Output shaft loads			PLN070	PLN090	PLN115	PLN142	PLN190	p ⁽¹⁾
20,000 h 的径向力 ⁽⁶⁾⁽⁷⁾	Radial force for 20,000 h ⁽⁶⁾⁽⁷⁾	F _{r20.000h}	N	3200	5500	6000	12500	21000	
20,000 h 的轴向力 ⁽⁶⁾⁽⁷⁾	Axial force for 20,000 h ⁽⁶⁾⁽⁷⁾	F _{a20.000h}		4400	6400	8000	15000	21000	
30,000 h 的径向力 ⁽⁶⁾⁽⁷⁾	Radial force for 30,000 h ⁽⁶⁾⁽⁷⁾	F _{r30.000h}		3200	4800	5400	11400	18000	
30,000 h 的轴向力 ⁽⁶⁾⁽⁷⁾	Axial force for 30,000 h ⁽⁶⁾⁽⁷⁾	F _{a30.000h}		3900	5700	7000	13200	18500	
最大径向力 ⁽⁷⁾⁽⁸⁾	Maximum radial force ⁽⁷⁾⁽⁸⁾	F _{r Stat}		3200	5500	6000	12500	21000	
最大轴向力 ⁽⁷⁾⁽⁸⁾	Maximum axial force ⁽⁷⁾⁽⁸⁾	F _{a Stat}		4400	6400	8000	15000	21000	
20,000 h 倾斜力矩 ⁽⁶⁾⁽⁸⁾	Tilting moment for 20,000 h ⁽⁶⁾⁽⁸⁾	M _{K20.000h}	Nm	191	383	488	1420	2535	
30,000 h 倾斜力矩 ⁽⁶⁾⁽⁸⁾	Tilting moment for 30,000 h ⁽⁶⁾⁽⁸⁾	M _{K30.000h}		191	335	439	1295	2173	

转动惯量	Moment of inertia			PLN070	PLN090	PLN115	PLN142	PLN190	p ⁽¹⁾
转动惯量 ⁽²⁾	Mass moment of inertia ⁽²⁾	J	kgcm ²	0,216	0,560	1,942	7,008	22,876	1
				0,365	1,028	3,256	15,270	63,815	
				0,209	0,544	1,933	6,811	22,430	2
				0,249	0,699	2,373	9,813	36,003	

(1) 减速机级数
 (2) 传动比相关的数值可在 Tec Data Finder 中检索 - www.neugart.com
 (3) T_{min} = -40°C. 理想运行温度最高为 50°C
 (4) 距离减速机 1 m 时; 在输入转速为 n₁=3000 min⁻¹ 且无负荷时测得; i=5
 (5) 最大电机重量* (单位: kg) = 0.2 × M_b / 电机长度 (单位: m)
 * 电机重量对称分布
 * 水平和固定的安装位置
 (6) 数据以 n₂=100 min⁻¹ 的输出轴转速为准。
 (7) 以输出轴中心为准
 (8) 更改 T_{2N}, F_r, F_a 以及周期和轴承使用寿命时, 数值存在偏差(部分较高)。利用 NCP 针对应用进行专门设计 - www.neugart.com

(1) Number of stages
 (2) The ratio-dependent values can be retrieved in Tec Data Finder - www.neugart.com
 (3) T_{min} = -40°C. Optimal operating temperature max. 50°C
 (4) Sound pressure level from 1 m, measured on input running at n₁=3000 rpm no load; i=5
 (5) Max. motor weight* in kg = 0.2 × M_b / motor length in m
 * with symmetrically distributed motor weight
 * with horizontal and stationary mounting
 (6) These values are based on an output shaft speed of n₂=100 rpm
 (7) Based on center of output shaft
 (8) Other (sometimes higher) values following changes to T_{2N}, F_r, F_a, cycle, and service life of bearing. Application specific configuration with NCP - www.neugart.com

输出扭矩	Output torques			PLN070	PLN090	PLN115	PLN142	PLN190	$i^{(1)}$	$p^{(2)}$
额定输出扭矩 ⁽³⁾⁽⁴⁾	Nominal output torque ⁽³⁾⁽⁴⁾	T_{2N}	Nm	45	100	230	450	1000	3	1
				60	140	300	600	1300	4	
				65	140	260	750	1600	5	
				45	90	180	530	1300	7	
				40	80	150	450	1000	8	
				27	60	125	305	630	10	
				68	110	250	780	1500	12	2
				68	110	250	780	1500	15	
				77	150	300	1000	1800	16	
				77	150	300	1000	1800	20	
				65	140	260	900	1800	25	
				77	150	300	1000	1800	32	
				65	140	260	900	1800	40	
				40	80	150	450	1000	64	
27	60	125	305	630	100					
最大输出扭矩 ⁽⁴⁾⁽⁵⁾	Max. output torque ⁽⁴⁾⁽⁵⁾	T_{2max}	Nm	72	160	368	720	1600	3	1
				96	224	480	960	2080	4	
				104	224	416	1200	2560	5	
				72	144	288	848	2080	7	
				64	128	240	720	1600	8	
				43	96	200	488	1008	10	
				109	176	400	1248	2400	12	2
				109	176	400	1248	2400	15	
				123	240	480	1600	2880	16	
				123	240	480	1600	2880	20	
				104	224	416	1440	2880	25	
				123	240	480	1600	2880	32	
				104	224	416	1440	2880	40	
				64	128	240	720	1600	64	
43	96	200	488	1008	100					

(1) 传动比 ($i=n_1/n_2$)
 (2) 减速机级数
 (3) 利用 NCP 针对应用进行专门设计 – www.neugart.com
 (4) 平键 (代码 "A")时的数值: 针对交变载荷
 (5) 允许输出轴转动30.000转; 参见第 164 页

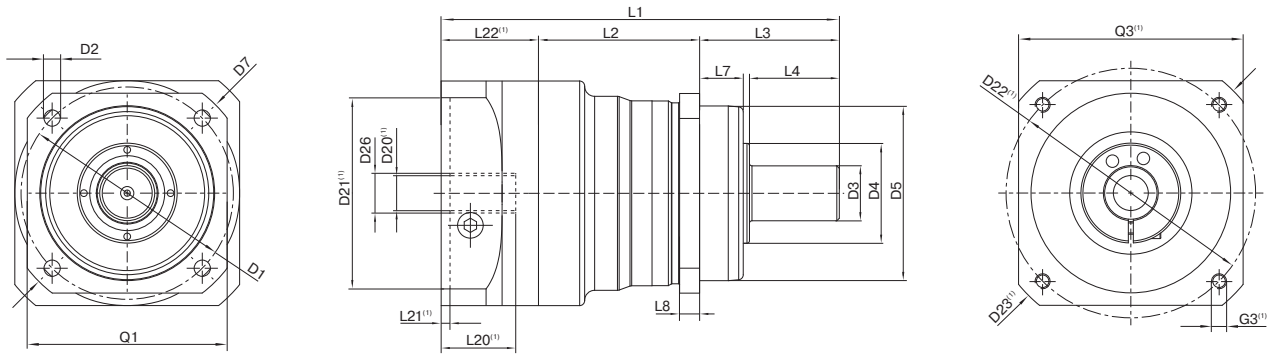
(1) Ratios ($i=n_1/n_2$)
 (2) Number of stages
 (3) Application specific configuration with NCP – www.neugart.com
 (4) Values for feather key (code "A"): for repeated load
 (5) 30,000 rotations of the output shaft permitted; see page 165

输出扭矩	Output torques			PLN070	PLN090	PLN115	PLN142	PLN190	i ⁽¹⁾	p ⁽²⁾				
急停扭矩 ⁽³⁾	Emergency stop torque ⁽³⁾	T _{2Stop}	Nm	90	210	490	975	2000	3	1				
				120	280	650	1300	2700	4					
				130	280	650	1500	3200	5					
				80	175	340	1300	2600	7					
				90	200	380	1000	2600	8					
				90	200	480	750	1350	10					
				135	220	500	1500	3000	12	2				
				135	220	500	1500	3000	15					
				150	300	650	2000	3600	16					
				150	300	650	2000	3600	20					
				150	300	650	1800	3600	25					
				150	300	650	2000	3600	32					
				150	300	650	1800	3600	40					
				80	200	380	1000	2600	64					
								80	200	480	750	1350	100	

输入转速	Input speeds			PLN070	PLN090	PLN115	PLN142	PLN190	i ⁽¹⁾	p ⁽²⁾
T _{2N} 和 S1 时的平均热输入转速 ⁽⁴⁾⁽⁵⁾	Average thermal input speed at T _{2N} and S1 ⁽⁴⁾⁽⁵⁾	n _{1N}	min ⁻¹	2050 ⁽⁶⁾	1950 ⁽⁶⁾	1500 ⁽⁶⁾	850 ⁽⁶⁾	700 ⁽⁶⁾	3	1
				2300 ⁽⁶⁾	2100 ⁽⁶⁾	1600 ⁽⁶⁾	950 ⁽⁶⁾	750 ⁽⁶⁾	4	
				2650 ⁽⁶⁾	2500 ⁽⁶⁾	2000 ⁽⁶⁾	1050 ⁽⁶⁾	850 ⁽⁶⁾	5	
				3450 ⁽⁶⁾	3550 ⁽⁶⁾	2800 ⁽⁶⁾	1550 ⁽⁶⁾	1200 ⁽⁶⁾	7	
				3800 ⁽⁶⁾	3950 ⁽⁶⁾	3200 ⁽⁶⁾	1800 ⁽⁶⁾	1450 ⁽⁶⁾	8	
				4400 ⁽⁶⁾	4000	3500 ⁽⁶⁾	2250 ⁽⁶⁾	1900 ⁽⁶⁾	10	
				3550 ⁽⁶⁾	3400 ⁽⁶⁾	2450 ⁽⁶⁾	1300 ⁽⁶⁾	1000 ⁽⁶⁾	12	2
				4000 ⁽⁶⁾	4000 ⁽⁶⁾	3000 ⁽⁶⁾	1600 ⁽⁶⁾	1250 ⁽⁶⁾	15	
				3800 ⁽⁶⁾	3550 ⁽⁶⁾	2550 ⁽⁶⁾	1350 ⁽⁶⁾	1050 ⁽⁶⁾	16	
				4300 ⁽⁶⁾	4000 ⁽⁶⁾	3050 ⁽⁶⁾	1600 ⁽⁶⁾	1300 ⁽⁶⁾	20	
				4500 ⁽⁶⁾	4000 ⁽⁶⁾	3400 ⁽⁶⁾	1850 ⁽⁶⁾	1400 ⁽⁶⁾	25	
				4500	4000	3500 ⁽⁶⁾	2300 ⁽⁶⁾	1900 ⁽⁶⁾	32	
				4500	4000	3500	2550 ⁽⁶⁾	2100 ⁽⁶⁾	40	
				4500	4000	3500	3000 ⁽⁶⁾	2500 ⁽⁶⁾	64	
				4500	4000	3500	3000	2500	100	
最高机械输入转速 ⁽⁴⁾	Max. mechanical input speed ⁽⁴⁾	n _{1Limit}	min ⁻¹	14000	10000	8500	6500	6000		

(1) 传动比 (i=n₁/n₂)
 (2) 减速机级数
 (3) 允许 1000 次
 (4) 利用 NCP 针对应用设计转速 – www.neugart.com
 (5) 定义请参见第 164 页
 (6) 在 50% T_{2N} 输出和 S1 模式下的平均热传动转速

(1) Ratios (i=n₁/n₂)
 (2) Number of stages
 (3) Permitted 1000 times
 (4) Application-specific speed configurations with NCP – www.neugart.com
 (5) See page 165 for the definition
 (6) Average thermal input speed at 50% T_{2N} and S1



图示为带平键的 PLN090 / 1 级 / 光滑输出轴 / 19 mm 锁紧系统 / 适配电机法兰 - 2 件式 - 圆形通用法兰 / B5 电机法兰类型
 Drawing corresponds to a PLN090 / 1-stage / smooth output shaft / 19 mm clamping system / motor adaptation - 2-part - round universal flange / B5 flange type motor

⁽¹⁾ 具体尺寸视电机/减速机法兰而定。可以在 www.neugart.com 下 Tec Data Finder。中针对每个电机适配电机特有的输入法兰几何尺寸。
⁽¹⁾ The dimensions vary with the motor/gearbox flange. The input flange dimensions can be retrieved for each specific motor in Tec Data Finder at www.neugart.com

几何尺寸 ⁽²⁾	Geometry ⁽²⁾			PLN070	PLN090	PLN115	PLN142	PLN190	p ⁽³⁾	Code
输出端安装孔节圆直径	Pitch circle diameter output	D1		68 - 75	85	120	165	215		
输出端安装孔直径	Mounting bore output	D2	4x	5,5	6,5	9,0	11,0	13,5		
输出轴直径	Shaft diameter output	D3	k6	16	22	32	40	55		
输出轴轴肩直径	Shaft collar output	D4		35	40	45	70	80		
输出端定位凸台直径	Centering diameter output	D5	g7	60	70	90	130	160		
输出法兰对角线尺寸	Diagonal dimension output	D7		92	100	140	185	240		
输出端法兰外方	Flange cross section output	Q1	■	70	80	110	142	190		
最小总长	Min. total length	L1		137,5	159,5	201	276	310,5	1	
				166,5	191,5	241	335	382,5	2	
箱体长度	Housing length	L2		58,5	64,5	61	91,5	116	1	
				88	96,5	101,5	150,5	188	2	
输出端定位凸台深度	Centering depth output	L7		19	17,5	28	28	28		
输出端法兰厚度	Flange thickness output	L8		7	8	10	12	15		
电机轴直径 j6/k6	Motor shaft diameter j6/k6	D20		更多信息见第 161/162 页						
输入端锁紧系统直径	Clamping system diameter input	D26		More information on page 161/162						
带平键的输出轴 (DIN 6885-1)	Output shaft with feather key (DIN 6885-1)			A 5x5x25	A 6x6x28	A 10x8x50	A 12x8x65	A 16x10x70		A
平键宽度 (DIN 6885-1)	Feather key width (DIN 6885-1)	B1		5	6	10	12	16		
含平键在内的轴高 (DIN 6885-1)	Shaft height including feather key (DIN 6885-1)	H1		18	24,5	35	43	59		
输出轴轴长	Shaft length output	L3		48	56	88	110	112		
到轴肩的距离	Shaft length from shoulder	L4		28	36	58	80	82		
平键长度	Feather key length	L5		25	28	50	65	70		
到轴端的距离	Distance from shaft end	L6		2	4	4	8	6		
中心孔 (DIN 332, DR 形)	Center hole (DIN 332, type DR)	C		M5x12,5	M8x19	M12x28	M16x36	M20x42		
光滑输出轴	Smooth output shaft									B
输出轴轴长	Shaft length output	L3		48	56	88	110	112		
到轴肩的距离	Shaft length from shoulder	L4		28	36	58	80	82		
花键输出轴 (DIN 5480)	Splined output shaft (DIN 5480)			W16x0,8 x18x6m	W22x1,25 x16x6m	W32x1,25 x24x6m	W40x2,0 x18x6m	W55x2,0 x26x6m		C
花键或键槽的长度	Width of gearing	L _v		15	15	15	20	22		
输出轴轴长	Shaft length output	L3		46	46	56	70	71,5		
到轴肩的距离	Shaft length from shoulder	L4		26	26	26	40	41,5		
中心孔 (DIN 332, DR 形)	Center hole (DIN 332, type DR)	C		M5x12,5	M8x19	M12x28	M16x36	M20x42		

⁽²⁾ 所有的尺寸单位为mm
⁽³⁾ 减速机级数

⁽²⁾ Dimensions in mm
⁽³⁾ Number of stages